

SE



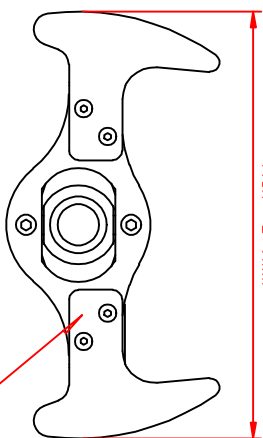
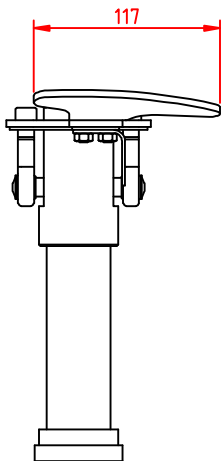
FIRST ANGLE PROJECTION

THIS DRAWING IS CONFIDENTIAL AND IS SUPPLIED ON THE EXPRESS CONDITION THAT IT SHALL NOT BE LOANED, COPIED OR DISCLOSED TO ANY OTHER PERSON NOR USED FOR ANY OTHER PURPOSE WITHOUT THE WRITTEN CONSENT OF LM-Lusomotors

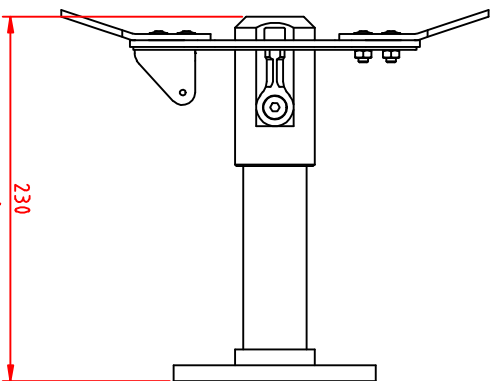
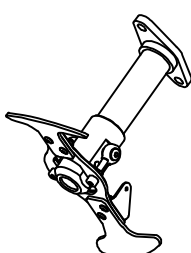
www.lusomotors.com
Lusomotors@lusomotors.com
Tel: 253 103 951/965 679 420

UNLESS SPECIFIED OTHERWISE:
1. ALL DIMENSIONS ARE IN MILLIMETERS
2. REMOVE ALL BURRS & SHARP EDGES

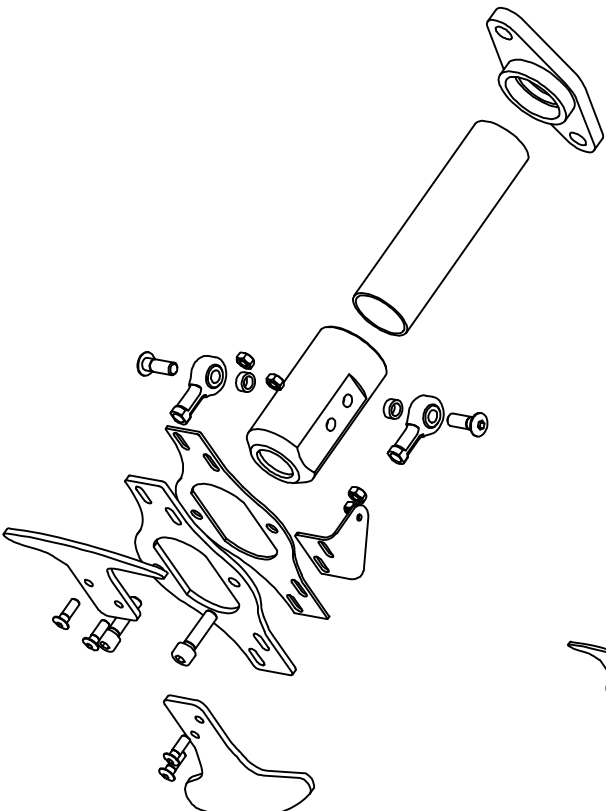
Min - 270mm
Max - 290mm



Other dimensions available on request



various dimensions available to suit your special needs.



Exploded view



António Ernesto Miranda Freiras
RUA DA POUSADA DE DENTRO
ED. S. PEDRO, Nº 27 - 6ª Dje
AZUREM
4800-056 GUIMARÃES
PORTUGAL

REV	DATE & No	REVISIONS	ZONE
No.			

SCALE	SHEET
DRAWN Ernesto DATE 19/02/2008	
Paddle Shift	

TITLE **LM SEVEN**

Sierra based

Main views and dims.

DRG No PS-01-08