

SE

FIRST ANGLE PROJECTION

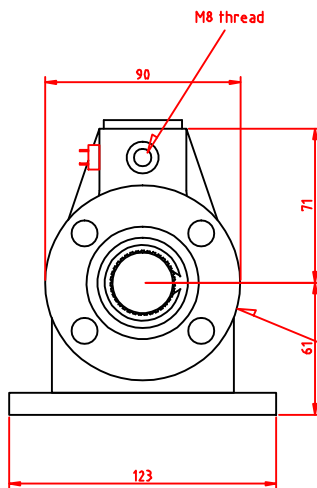
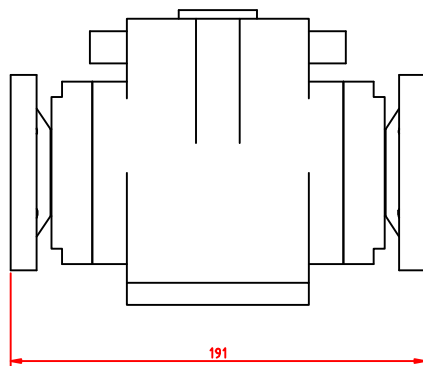
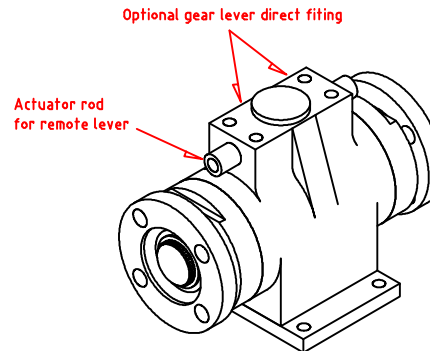
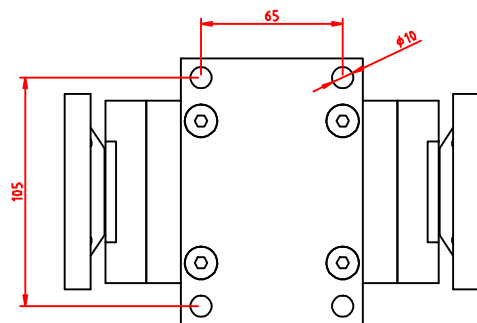
THIS DRAWING IS CONFIDENTIAL AND IS SUPPLIED ON THE EXPRESS CONDITION THAT IT SHALL NOT BE LOANED, COPIED OR DISCLOSED TO ANY OTHER PERSON NOR USED FOR ANY OTHER PURPOSE WITHOUT THE WRITTEN CONSENT OF LM-Lusomotors

www.lusomotors.com
lusomotors@lusomotors.com
Tel: 253 103 951/918 677 889

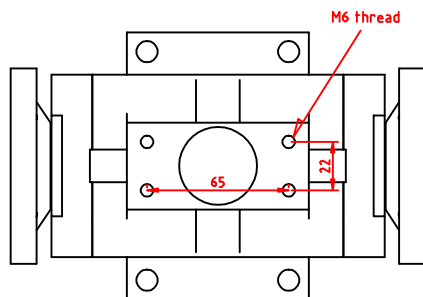


António Ernesto Miranda Freitas
RUA DA Pousada de dentro
ED. S. PEDRO, Nº 27 - 6º Dtº
AZURÉM
4800-056 GUIMARÃES
PORTUGAL

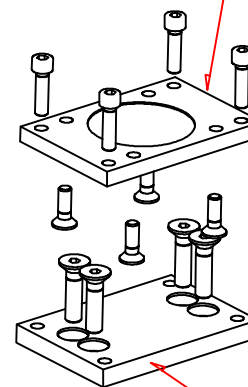
UNLESS SPECIFIED OTHERWISE:
1. ALL DIMENSIONS ARE IN MILLIMETERS
2. REMOVE ALL BURRS & SHARP EDGES



Ford English type
Drive Flange
(Others available)



Standard fitting plate



Adaptor plate for Quaife
direct replacement.
(Others available)

REV	REVISIONS	
No.	DATE & No	ZONE

SCALE SHEET
DRAWN Ernesto DATE 12/05/2008

Reverser

TITLE In-line Model

Main dimensions

DRG Nº RV-015-07