

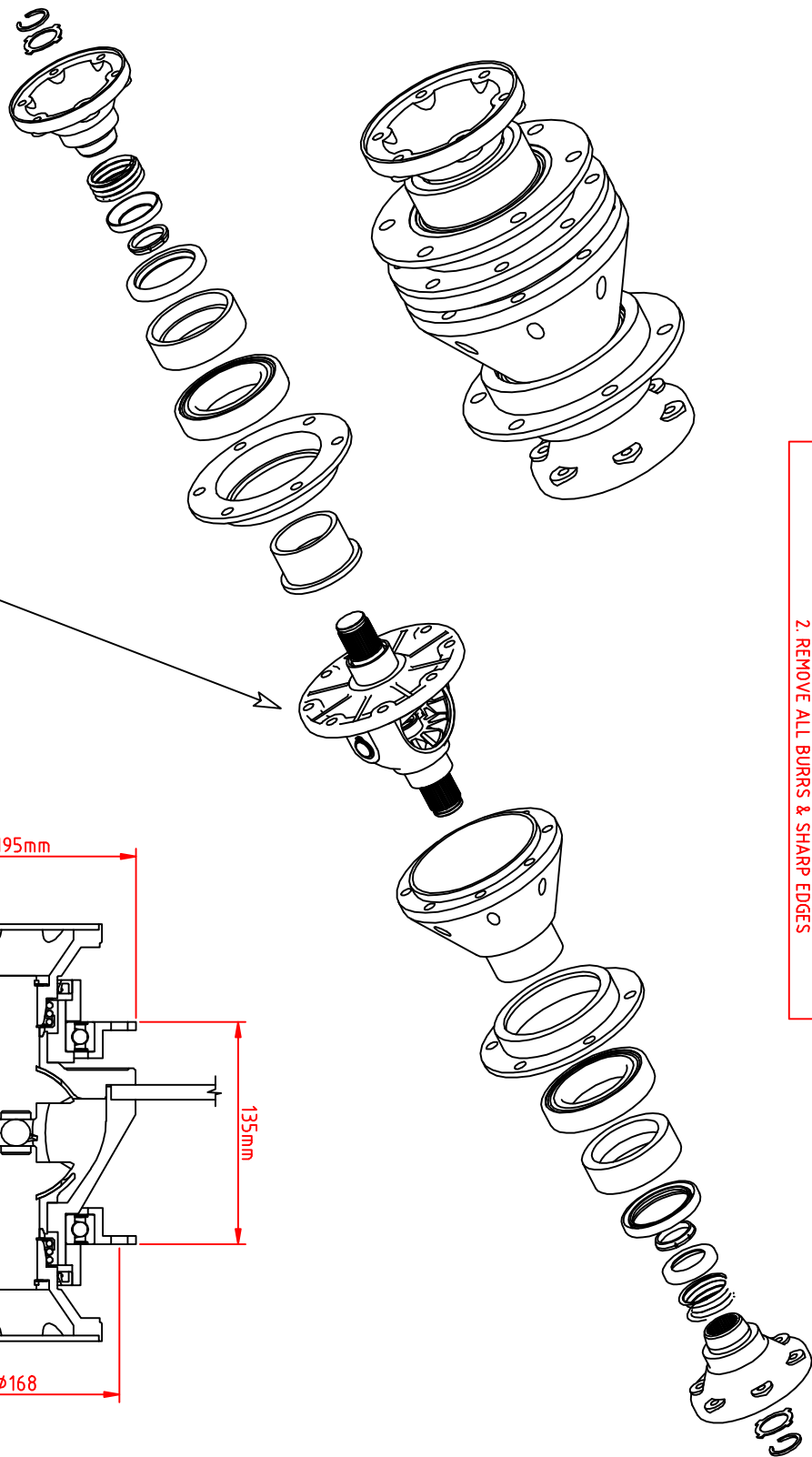


FIRST ANGLE PROJECTION

THIS DRAWING IS CONFIDENTIAL AND IS SUPPLIED ON THE EXPRESS CONDITION THAT IT SHALL NOT BE LOANED, COPIED OR DISCLOSED TO ANY OTHER PERSON NOR USED FOR ANY OTHER PURPOSE WITHOUT THE WRITTEN CONSENT OF LM-Lusomotors

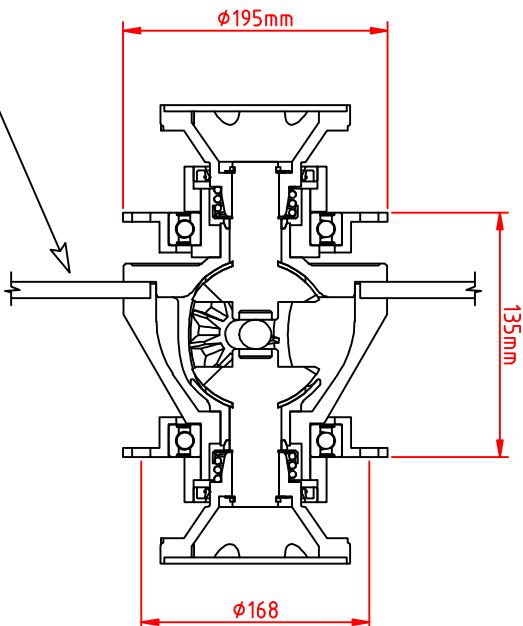
www.lusomotors.com  
 Lusomotors@lusomotors.com  
 Tel: 253 103 951/918 677 889

UNLESS SPECIFIED OTHERWISE:  
 1. ALL DIMENSIONS ARE IN MILLIMETERS  
 2. REMOVE ALL BURRS & SHARP EDGES



Standard VW "open" diff  
 LSD Versions on request

Chain Sprocket  
 (not included)



António Ernesto Miranda Freiras  
 RUA DA POUSADA DE DENTRO  
 ED. S. PEDRO, Nº 27 - 6ª Dje  
 AZUREM  
 4880-056 GUIMARÃES  
 PORTUGAL

REV	DATE & No	REVISIONS	ZONE
No.			

SCALE	SHEET
DRAWN <b>Ernesto</b>	DATE <b>19/02/2008</b>
<b>Chain Drive Diff</b>	
TITLE <b>LM 23</b>	

**Views**

**DRG No CDF-01-08**